



Smart Valve Positioner TS900 Series

- Quick and easy auto calibration
- Large flow pilot valve (Over than 100LPM)
- HART communication (HART 7)
- Partial stroke test (PST) function
- Alarm & Self diagnostic function

Smart Valve Positioner

TS900 Series (Flame proof type)

Discription

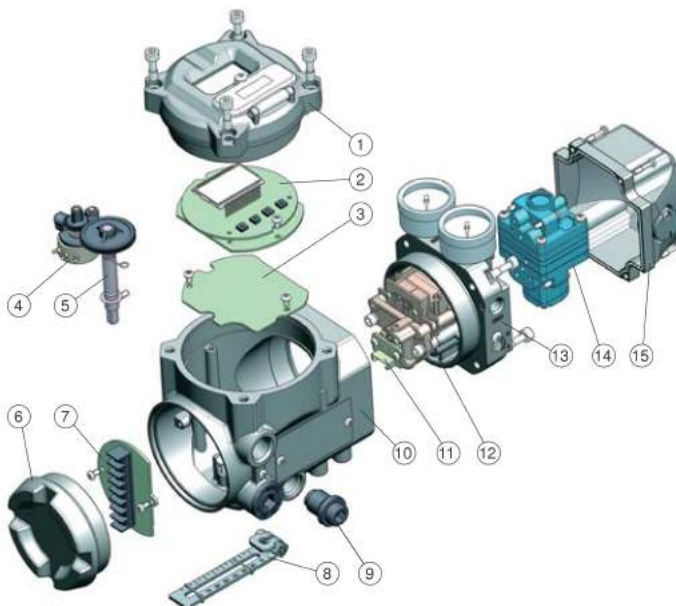
TS900 Smart Valve Positioner controls the valve stroke in response to an input signal of 4-20mA from the control panel, DCS, or calibrator.



Features

- + Quick and easy auto calibration
- + Large flow pilot valve (Over than 100LPM)
- + By-pass valve (A/M switch) installed
- + HART communication (HART 7)
- + Limit switch (Mechanical or Proximity type)
- + Partial stroke test (PST) function
- + Alarm function
- + Self dignostic

Structure



1. Body cover
2. Main PCB
3. PCB Bracket
4. Potentiometer
5. Main shaft
6. Junction box cover
7. Terminal block
8. Feedback lever
9. Body vent cover
10. Base body
11. Pressure sensor(Optional)
12. Torque motor
13. Air connection block
14. Pilot valve
15. Pilot valve cover

Smart Valve Positioner

TS900 Series (Flame proof type)

Specifications

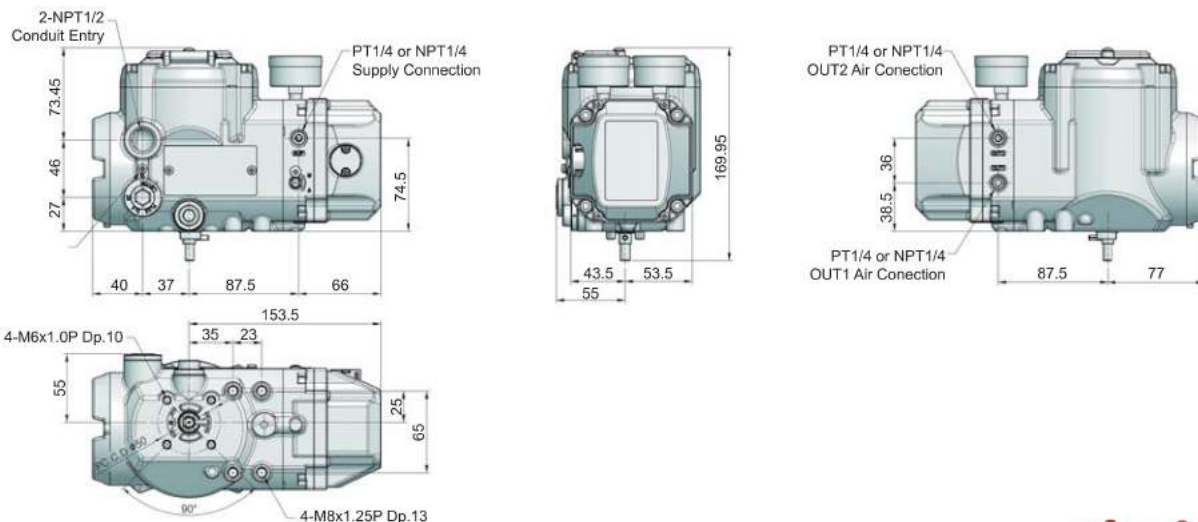
Model	TS900L	TS900R
Input signal	4~20mA DC	
Impedance	500Ω at 20mA DC	
Supply pressure	0.14~0.7MPa	
Stroke	10~150mm	0~90°
Air connection	PT1/4, NPT1/4	
Gauge connection	PT1/8, NPT1/8	
Conduit	G(PF)1/2, NPT1/2	
Explosion proof type	Ex db IIC T5/T6 II 2D Ex tb IIIC T85°C/T100 °C	
Enclosure	IP66	
Ambient Temp.	Standard type	-30°C~80°C
	Low temp type	-40°C~80°C
	Explosion proof	-40°C~80°C(T5) / -40°C~70°C(T6)
	LCD operating	-30°C~85°C
Linearity	±0.5% F.S.	
Sensitivity	±0.2% F.S.	
Hysteresis	±0.5% F.S.	
Repeatability	±0.3% F.S.	
Air consumption	Below 2.3LPM (Sup=0.14MPa)	
Required air quality	Class 3 (ISO 8573-1)	
Flow capacity	Over 100LPM (Sup=0.14MPa)	
Material	Aluminum die cast	
Weight	3.5kg	
HART version*	HART 7	
Position transmitter*	Connection type	2 Wire
	Supply voltage	9~30V DC
Alarm switch*	9~30V DC	

* Options

Product number

Model	TS900	C				
Acting type	Linear type	L				
	Rotary type	R				
Explosion proof type	Ex db IIC T5/T6	C				
Connection	Conduit entry	Air connection				
	G1/2	PT1/4	1			
	G1/2	NPT1/4	2			
	NPT1/2	NPT1/4	3			
	M20	NPT1/4	4			
Lever (Linear type)	10 ~ 80mm		1			
	70 ~ 150mm		2			
	Adapter type(70mm)		3			
Lever (Rotary type)	M6 x 34L		1			
	NAMUR		5			
Ambient Temp.	-30°C~85°C				S	
	-40°C~85°C				L	
Communication	None					0
	4~20mA Position transmitter					1
	HART					2
	HART with 4~20mA Position transmitter					3
Alarm switch	None					0
	Included Alarm module					A

Dimension [Unit:mm]





Solutions for control valve system

Tissin

티씬

201-905, No 397, Seokchen-ro, Ojeong-gu,
Bucheon-si, Gyeonggi-do, Korea 14449

Tel : +82-1522-4460, Fax : +82-32-724-0602

www.tissinkorea.com



Version: TS900EN_4/2018

We reserve the right to make technical changes or modify
the contents of this document without prior notice.

Copyright © 2018 Tissin
All rights reserved.

Printed in Korea